

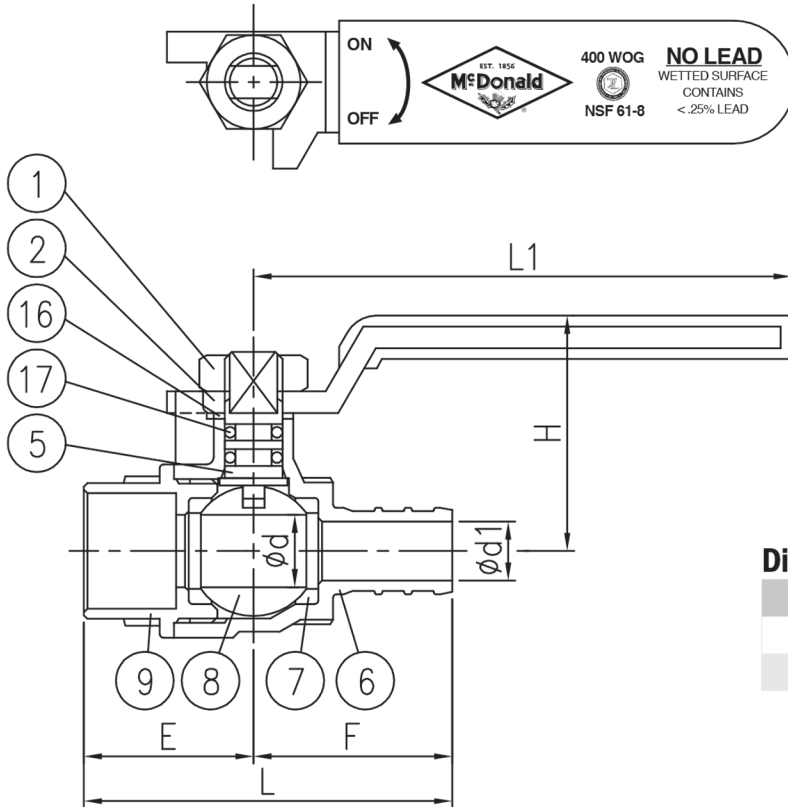
# SUBMITTAL DATA SHEET

## No-Lead Pex Ball Valves Standard Port - Pex Ball Valve - 72030PC

**Inlet: Copper Sweat x Outlet: Pex**



A.Y. McDonald Mfg. Co. Standard Port Ball Valves are constructed of heavy duty no-lead brass and can be used with a full range of liquids and gases in commercial, industrial and residential applications. This is a standard port valve with excellent flow characteristics.



### Materials

No.	Part	Material
1	Nut	Steel
2	Handle	Steel
3	Washer	Teflon
4	O-Ring	Rubber
5	Stem	No-Lead Brass
6	Body	No-Lead Brass
7	Ball Disc Packing	Teflon
8	Ball Disc	No-Lead Brass
9	End Plug	No-Lead Brass

### Dimensions

Size	L	H	d	d1	L1	E	F
1/2"	2.05	1.30	.39	.32	2.95	.94	1.10
3/4"	2.44	1.42	.59	.50	2.95	1.26	1.18

### SUBMITTAL INFORMATION

- Sizes: 1/2" - 3/4"
- 400 WOG
- Pex ends conform to ASTM F1807
- Blow out proof stem
- NSF / ANSI 61-8 & NSF / ANSI 372

**NO-LEAD:** The weighted average of the wetted surface of this no-lead product contacted by consumable water contains less than one quarter of one percent (0.25%) lead.



**A.Y. McDonald Mfg. Co.**  
P.O. Box 508  
Dubuque, IA 52004-0508

**Toll Free: 1-800-292-2737**  
**Fax: 1-800-832-9296**  
**Hours: 7:00 a.m. - 5:00 p.m., CST**

[sales@aymcdonald.com](mailto:sales@aymcdonald.com)  
[www.aymcdonald.com](http://www.aymcdonald.com)

A.Y. McDonald considers the information on this assembly drawing correct when published. Item and option availability, including specifications, are subject to change without notice.

**Submitted by:**